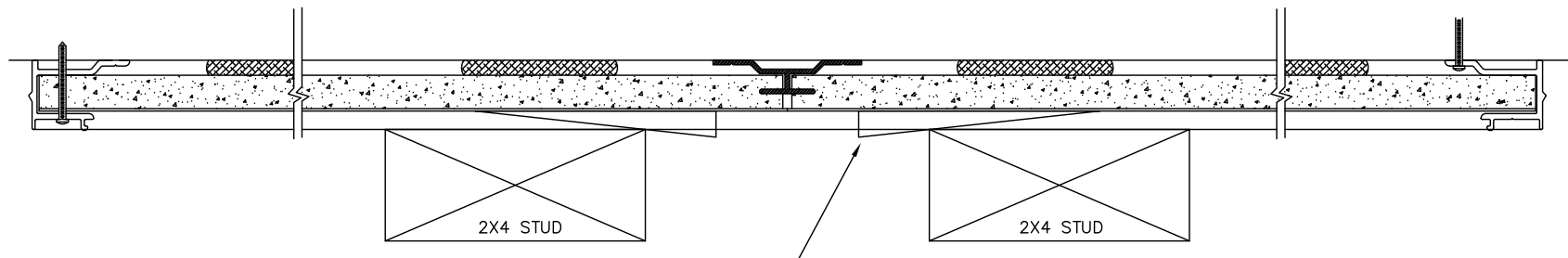


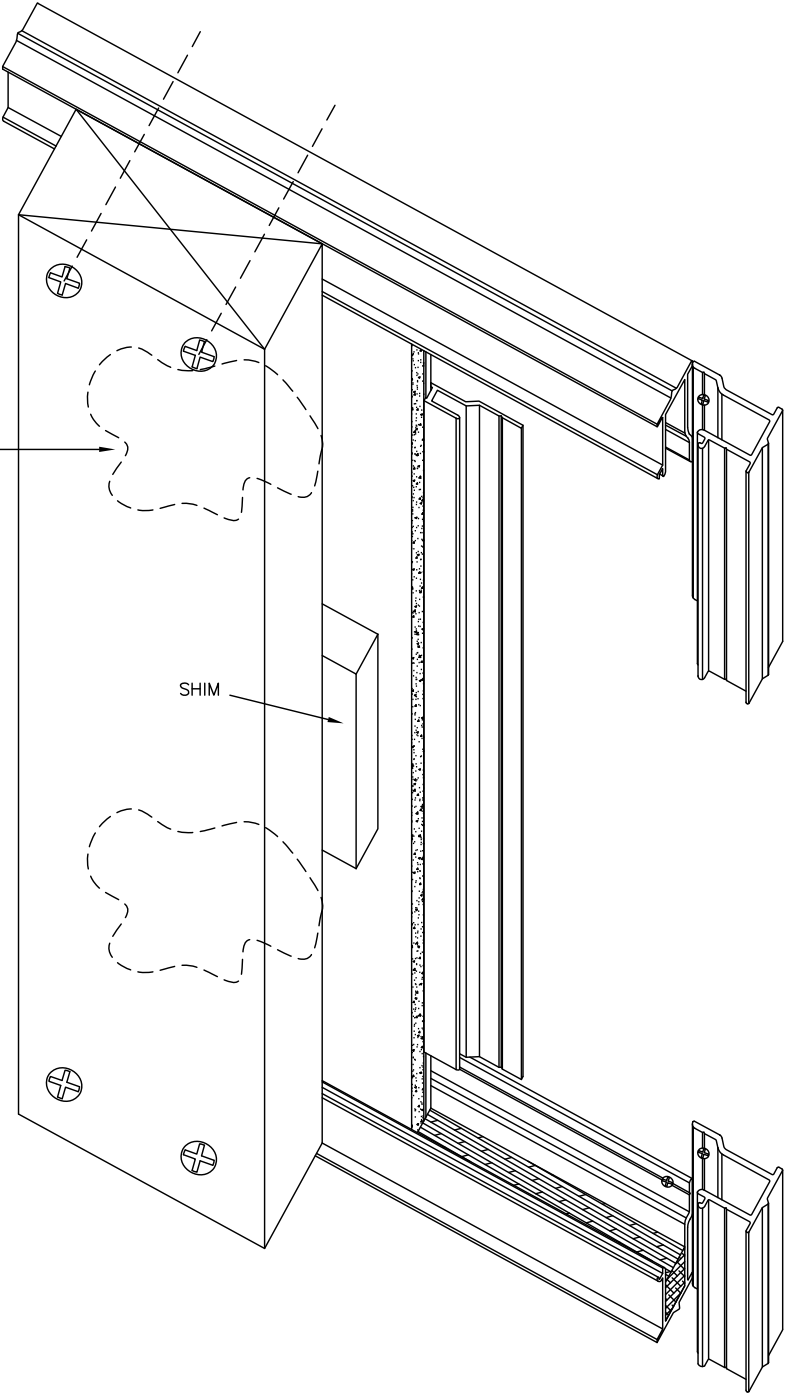
ATTACH 2X4 TO TOP & BOTTOM GROUND TRIM



SHIM BETWEEN BACK SIDE OF 2X4 AND FACE OF MB SURFACE FOR CONSISTENT SMOOTH MARKERWALL/CHALKWALL SURFACE

GLUE ON BACK
SIDE OF PANELS

SHIM



LEAVE 2X4'S & SHIMS UNTIL GLUE HAS BEEN GIVEN ENOUGH TIME TO SET UP

