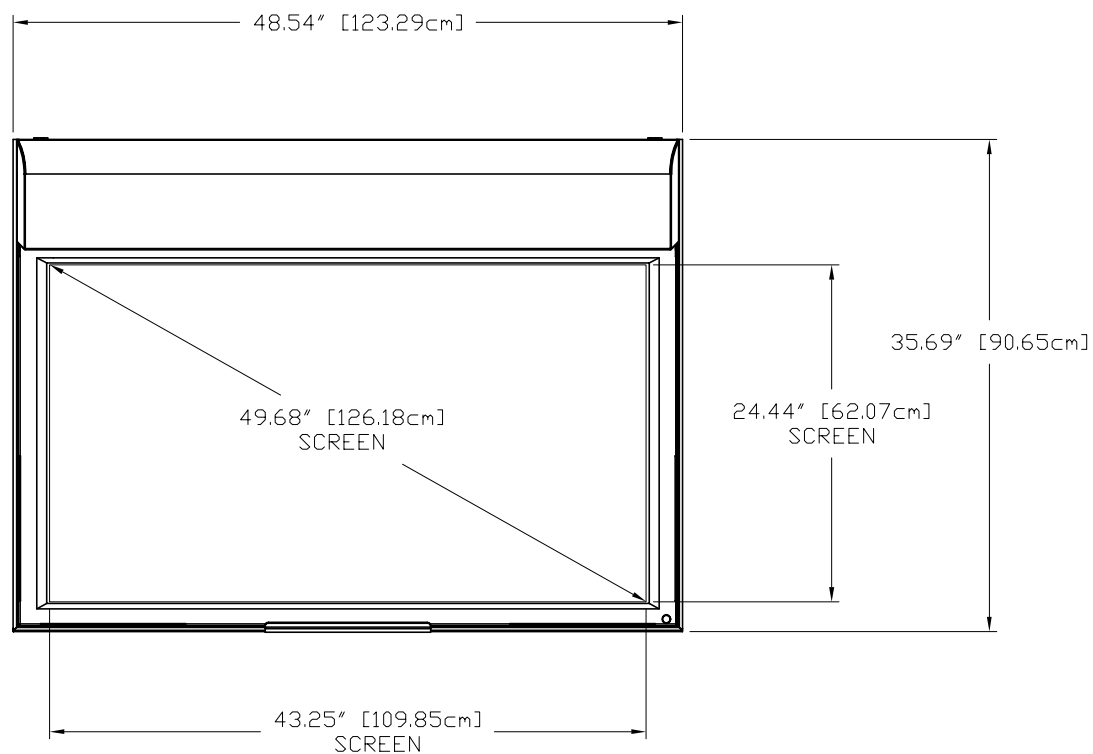
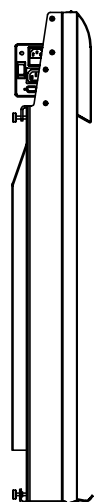
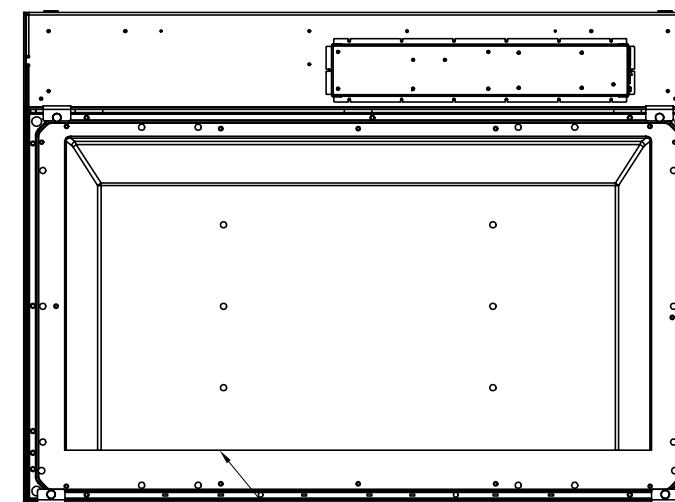
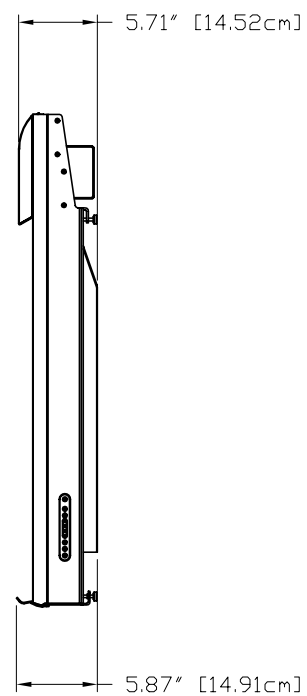


9350 POWER CONNECTORS

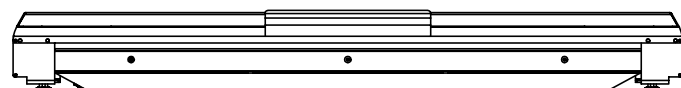
9350 POWER SWITCH



FRONT VIEW



PIONEER TERMINAL PANEL  
(SEE PIONEER MANUAL)



NOTES: UNLESS OTHERWISE SPECIFIED

1. MOUNT AND INSTALL IN ACCORDANCE WITH PLASMA DISPLAY MANUFACTURER'S RECOMMENDATIONS.
2. ALL SPECIFICATIONS ARE SUBJECT TO CHANGE WITHOUT NOTICE.

REV	DESCRIPTION	DCN	DATE
A	INITIAL RELEASE		7AUG02

**POLYVISION CORPORATION**  
Interactive Products Group  
14523 SW MILLIKAN WAY  
BEAVERTON, OREGON 97005  
PHONE 503 523 2000  
FAX 503 523 2020

MATERIAL: \_\_\_\_\_  
FINISH: \_\_\_\_\_  
THE INFORMATION CONTAINED HEREIN IS PROPRIETARY, AND MAY NOT BE REPRODUCED OR COPIED WITHOUT PRIOR WRITTEN APPROVAL OF POLYVISION CORP

DRAWN: A.R.FRIEDMAN  
APPVD: \_\_\_\_\_  
DATE: 7AUG02  
DATE: \_\_\_\_\_  
UNLESS OTHERWISE SPECIFIED  
TOLERANCES: .XX = ± .030  
.XXX = ± .010  
FRACTIONS = ± N/A  
ANGLES = ± 1°  
DIMENSIONS ARE IN INCHES

PROJECT: 9350  
TITLE: 9350 INSTALLATION DRAWING  
DWG. NO. 9350-INSTL  
SCALE: NONE  
REV. A  
SIZE B  
SHT 1 OF 1