

# POLYVISION

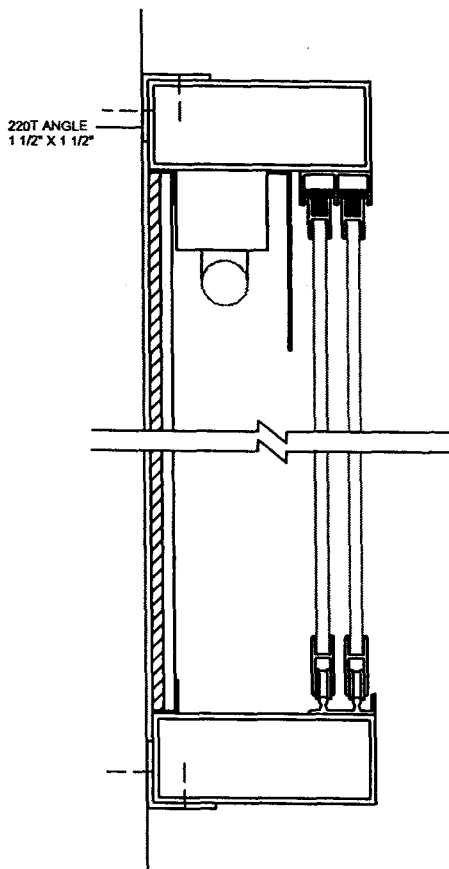
A Steelcase Company

## SBC & HBC SERIES ANGLE MOUNT

### **SUGGESTED INSTALLATION INSTRUCTIONS FOR SBC & HBC BULLETIN CASES**

Note: Complete installation hardware is included with each unit. If wall construction prevents the use of hardware as furnished, it is the responsibility of the customer to furnish the required fasteners.

1. Field measure to confirm proper panel size.
2. Determine locations and mounting heights.
3. Level and strike a chalkline at the desired mounting height.
4. Place the angle on the chalkline you just struck, and anchor with suitable anchors 16" or 24" O.C. max.
5. Measure overall unit height and then mark this dimension on the wall.
6. Level and strike a chalkline at the line from the unit height. Place the inside upper edge of the angle even with the chalkline.
7. Place unit onto lower angle and push tight against wall.
8. Screw through angle into tubing with suitable anchors.
9. For SBC Units: To install sliding doors, push top of door up into top track, then sit the bottom of the door into the bottom track.



*Indoff*

140 WEST WYND TERRACE  
MIDDLETOWN, CT 06457  
(860) 632-2026  
FAX (860) 632-2028  
[www.ahutton.com](http://www.ahutton.com)

CHECK US OUT ONLINE AT: