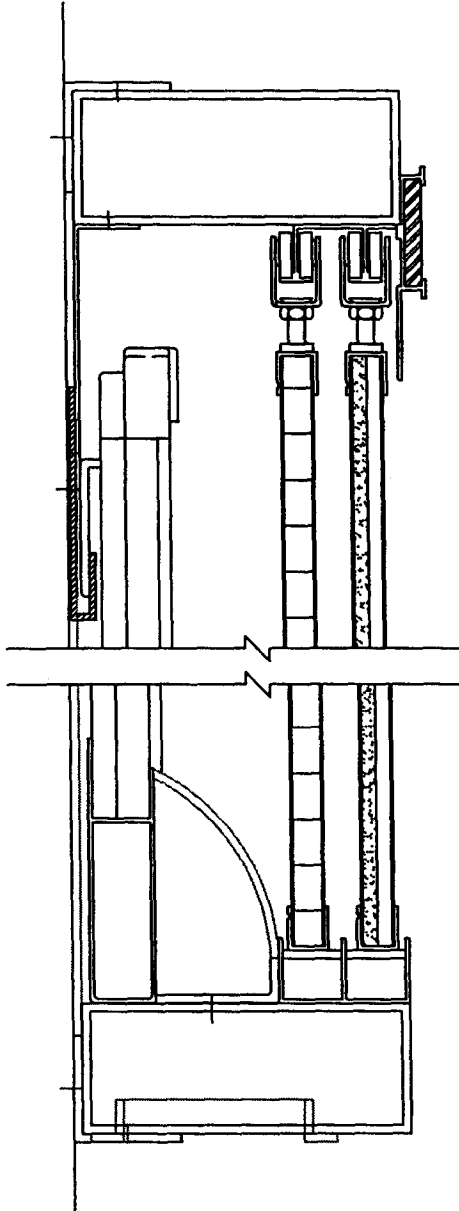


POLYVISION

A Steelcase Company

MSIS

HORIZONTAL SLIDING UNIT WITH
FIXED WEBSTER AT REAR



SUGGESTED INSTALLATION INSTRUCTIONS FOR H-SERIES HORIZONTAL SLIDING UNIT

Note: Complete installation hardware is included with each unit. If wall construction prevents the use of hardware as furnished, it is the responsibility of the customer to furnish the required fasteners.

1. Field measure to confirm proper panel size.
2. Determine locations and mounting heights.

Note: Be sure that the angle with the slot is located on the bottom of the unit to ensure proper cable routing.

3. Level and strike a chalkline at the desired mounting height.
4. Place the angle on the chalkline you just struck, and anchor with suitable anchors 16" or 24" O.C. max.
5. Measure overall unit height and then mark this dimension on the wall.
6. Level and strike a chalkline at the line from the unit height. Place the inside upper edge of the angle even with the chalkline.
7. Place unit onto lower angle and push tight against wall.
8. Screw through angle into tubing with suitable anchors.

Indoff

140 WEST WYND TERRACE
MIDDLETOWN, CT 06457
(860) 632-2026
FAX (860) 632-2028
www.ahutton.com

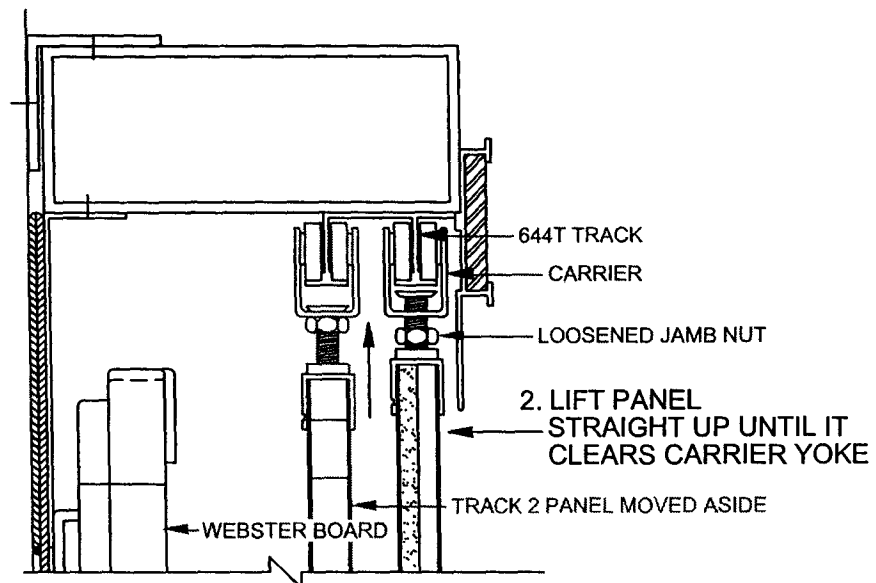
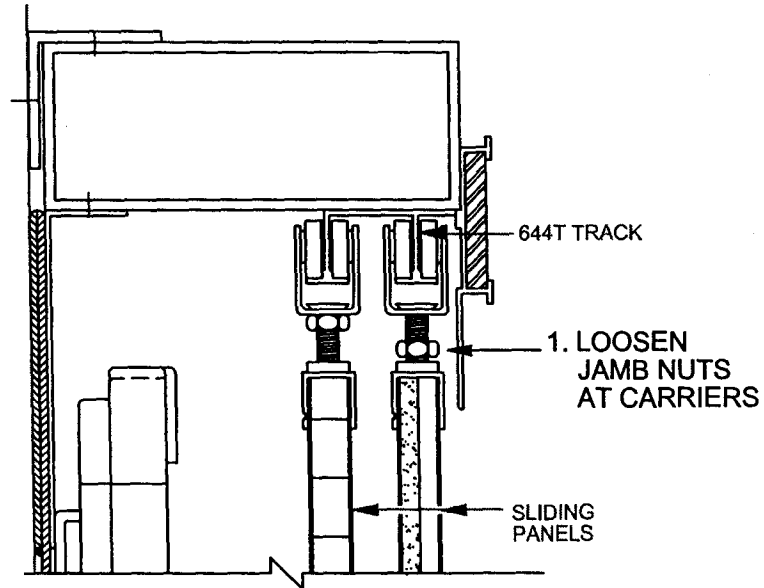
CHECK US OUT ONLINE AT:

PAGE 1

MSIS

HORIZONTAL SLIDING UNIT WITH
FIXED WEBSTER AT REAR

SLIDING PANEL REMOVAL



CHECK US OUT ONLINE AT:

Indoff

140 WEST WYND TERRACE
MIDDLETOWN, CT 06457
(860) 632-2026
FAX (860) 632-2028
www.ahutton.com

PAGE 2

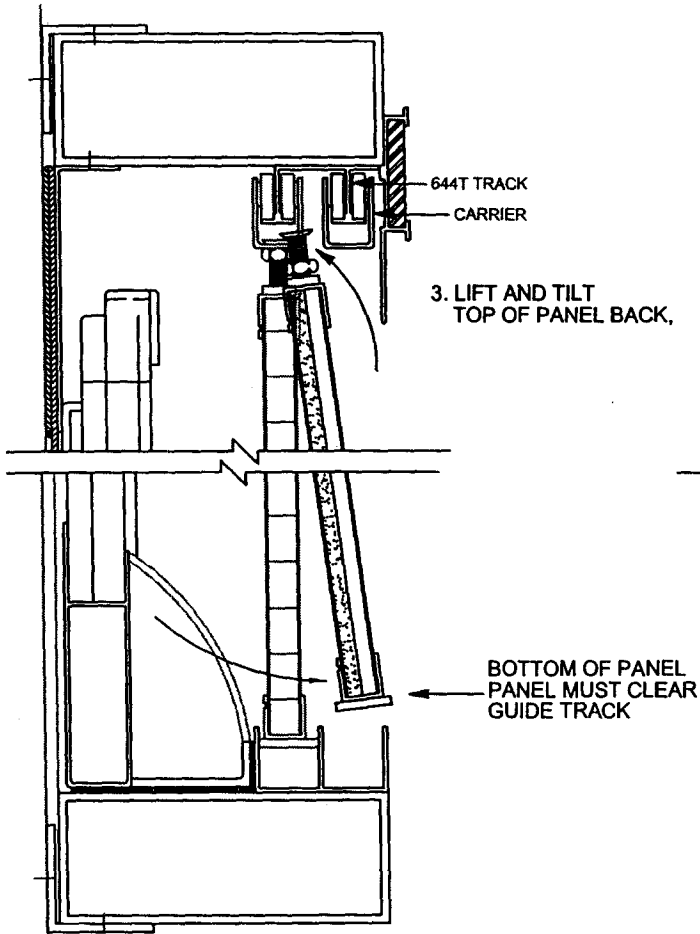
POLYVISION

A Steelcase Company

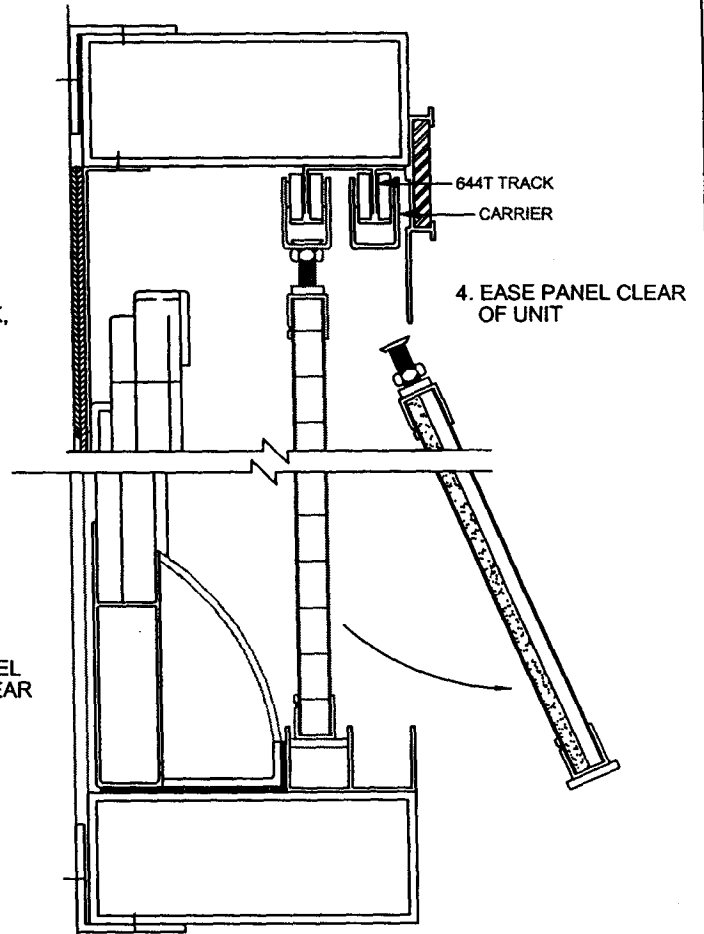
MSIS

HORIZONTAL SLIDING UNIT WITH
FIXED WEBSTER AT REAR

SLIDING PANEL REMOVAL



SLIDING PANEL REMOVAL



Indoff

140 WEST WYND TERRACE
MIDDLETOWN, CT 06457

(860) 632-2026

FAX (860) 632-2028

www.ahutton.com

CHECK US OUT ONLINE AT:

PAGE 3

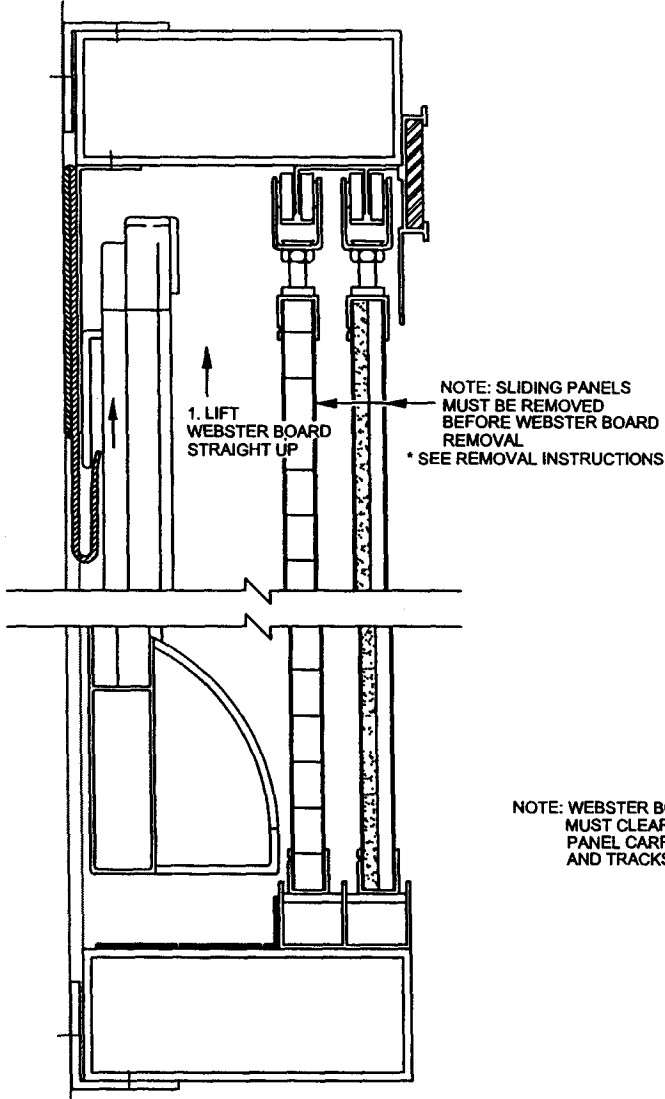
WEBSTER BOARD REMOVAL

POLYVISION®

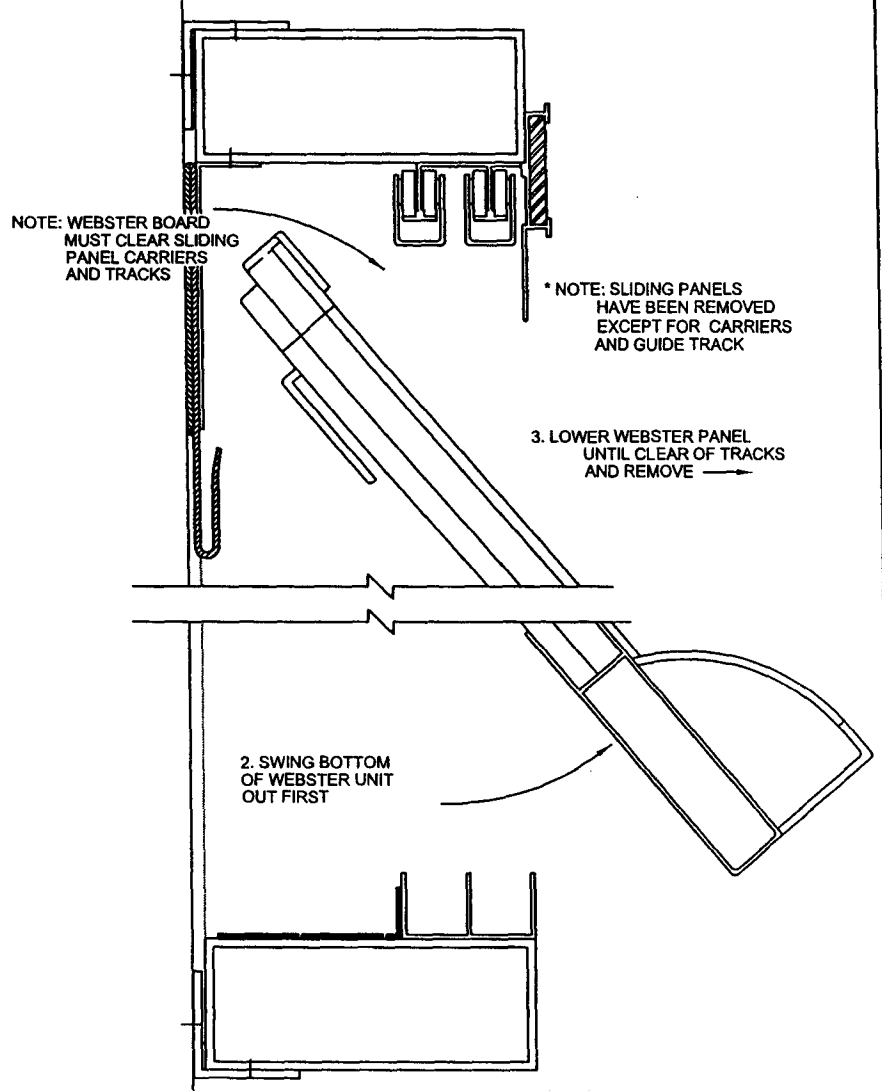
A Steelcase Company

MSIS

HORIZONTAL SLIDING UNIT WITH
FIXED WEBSTER AT REAR



WEBSTER BOARD REMOVAL



CHECK US OUT ONLINE AT:

Indoff

140 WEST WYND TERRACE
MIDDLETOWN, CT 06457
(860) 632-2026
FAX (860) 632-2028
www.ahutton.com

PAGE 4