

Indoff

Phone: 860.632.2026
Fax: 860.632.2028
Web site: www.ahutton.com
Customer Service: 1.800.486.7867
E-Mail: ahutton@ahutton.com

Allen H. Hutton
Account Manager
Material Handling

140 West Wynd Terrace, Middletown, CT 06457

Swift



Swift

The new Multiton Swift is an electric stacker with a capacity of 2,000 lbs. to the full lifting height of 62.5". The Swift is available in both, the Fork Over and the Straddle Leg version. Not only constructed for a warehouse, it is the ideal tool to lift a variety of objects. You can use it in a grocery or repair shop. Thanks to its innovative design, the new Multiton Swift requires only limited space and provides a unique blend of advantages.

Construction:

The swift is a four-wheel truck with a steerable drive wheel, a supporting wheel and two load-bearing wheels. Hoods that are easy to open provide easy access to all units. The operating controls are located in the control shaft head.

Safety Features:

- The discharge monitor deactivates the fast speed function when the voltage is low to prevent exhaustive discharge.
- When the control shaft is released, a gas pressure spring causes it to be pushed into the upper position.

Controls:

The multi function handle head with exemplary ergonomics provides optimum operator comfort and safety.

The operating buttons for lifting/lowering and horn can be reached without hand changes.

Drive System:

0.3 kW permanent magnet motor with shunt wound characteristics. Motor protection circuit for terminal overload. Power transmission via two-stage gear unit with high efficiency. Grease lubrication.

Brake System:

Magnetic brake acting on motor shaft, operated through the handle. Braking position with handle pressed down and handle in upright position with simultaneous interruption of the main power circuit. Asbestos-free brake.

Drive wheel:

Standard Polyurethane tires. Drive wheel dia. 9.06" x 3.15" wide. Castor Fork Over dia. 5.91" x 1.97" wide; Straddle Legs dia. 5.51" x 1.97" wide, spring loaded, springing 0.59".

Load wheels:

Easily replaceable Polyurethane tires dia. 3.35" x 2.76" wide.

Steering System:

By means of long, low slung safety handle. Low steering forces. Handle may be swiveled through 180°.

Lifting and Lowering:

Hydraulically through high pressure pump with powerful 1 kW series wound motor.

Mast:

The sturdy single mast permits optimum visibility conditions.

Forks:

Sturdy and torsion resistant box forks.

Battery / Charger:

2 x 12V / 60 Ah, maintenance free. Standard build-in micro processor controlled battery charger with charge control light, compensating charge and maintenance charge. Charging of the batteries via any main socket (Alternating Current (AC) 120V).

Standard Features:

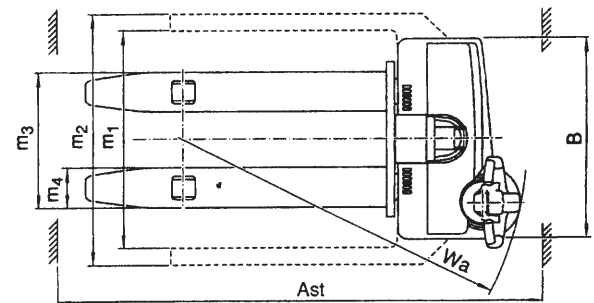
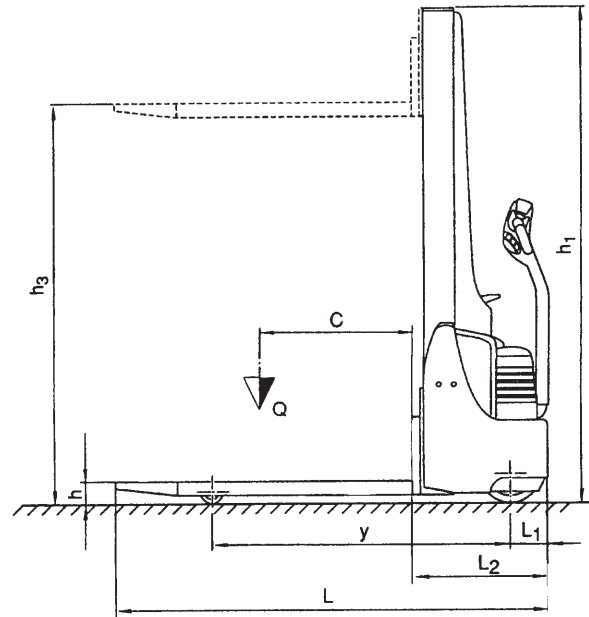
- Electronic Speed Controller
- Emergency Stop Plug
- Battery Discharge Indicator
- Charge Control Lamp
- Battery Charging Plug
- Key Lock
- Mast Covering

MULTITON

Performance

	without load	with load
Travel Speed (mph / km/h)	2.2/3.5	1.9/3.0
Truck Weight*(lbs./ kg)	939/425	2939/1333
Lifting speed (ft/min)	22	15
Lowering speed (ft/min)	14	35
Gradient Performance	5%	0%
Short Term Gradient Performance	10%	3%

*Without battery
Truck requires battery weight of 99 lbs.



Technical characteristics

Q	- capacity	2000 lbs. /906 kg
C	- load center	23.6"/600mm
y	- wheel base	46.1"/1169mm
L ₁	- distance: load wheel chassis	5.9"/150mm
L ₂	- length of drive	21"/534mm
L	- overall length	67.3"/1710mm
m ₁	- max. distance between Straddle Legs	50"/1270mm
m ₂ *	- max. overall width (Straddle Legs)	57.9"/1470mm
m ₃	- width over the forks	Fork Over 21.3"/540mm Straddle Legs 21.3"/540mm 26"/660mm
m ₄	- fork width	6.3"/160mm
Wa	- turning radius	55.3"/1405mm
B	- overall width (Fork Over)	31.5"/800mm
h ₁	- overall height	77.5"/1969mm
h ₃	- lift height	62.5"/1588mm
h	- fork / legs height	3.54"/90mm

*Straddle Legs adjustable in 6 stages of 1.97" each

Aisle Turning Dimensions

Load Length (inch)		Load Width (inch)				
		30	36	40	42	48
30	Fork Over	78	81	83	84	87
	Straddle Leg	92	92	92	92	92
36	Fork Over	79	82	84	85	88
	Straddle Leg	92	92	92	92	92
40	Fork Over	81	83	85	86	89
	Straddle Leg	92	92	92	92	92
42	Fork Over	82	84	86	87	90
	Straddle Leg	92	92	92	92	92
48	Fork Over	86	88	89	90	93
	Straddle Leg	92	92	92	92	92

Add 8" for ease of operation

Distributed by:



Phone: 860.632.2026
Fax: 860.632.2028
Web site: www.ahutton.com
Customer Service: 1.800.486.7867
E-Mail: ahutton@ahutton.com

Allen H. Hutton
Account Manager
Material Handling

