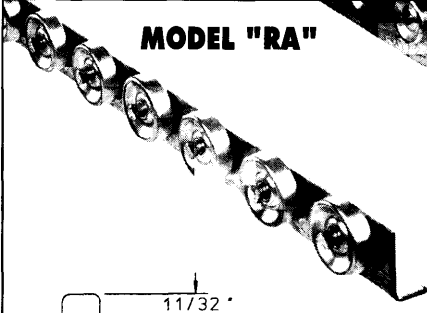
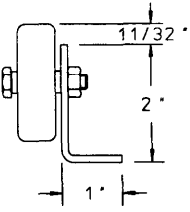
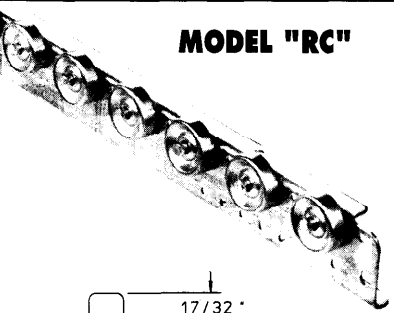


RAIL WHEEL CONVEYORS

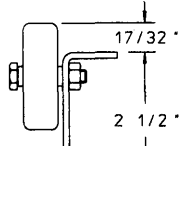


MODEL "RA"





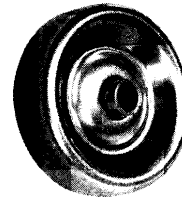
MODEL "RC"



24 HOUR SHIPMENTS INCLUDE ALL 1-FOOT INCREMENTS 1'-0" TO 10'-0" ON RAIL WHEEL UNITS.

MODEL NO. EXPLANATION

RA* -- 2
 ■
 model length
 *Specify "RA", "RC", "RD", "RJ", or "RU".



For replacement wheels, refer to part # BRW04600.

SPECIFICATIONS

RAILS: 12 ga. galvanized steel rails are formed to five different configurations: RA, **RC**, **RD**, RJ, and **RU** units.

WHEELS: 1-1 5/16" dia. prelubricated ball bearing wheel with labyrinth seal and hardened raceway, zinc plated.

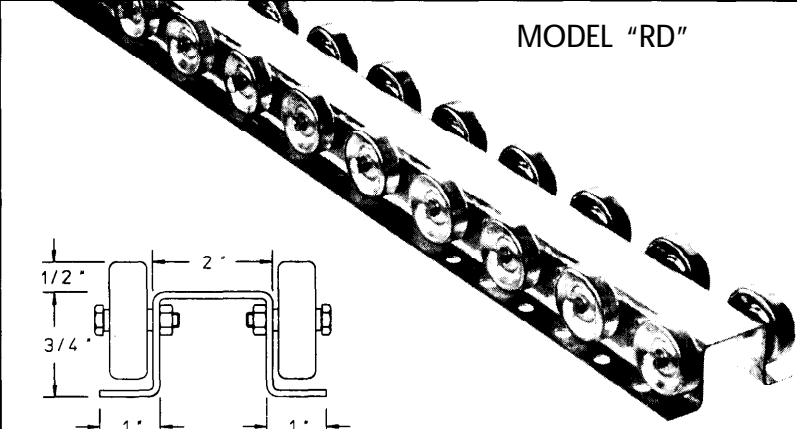
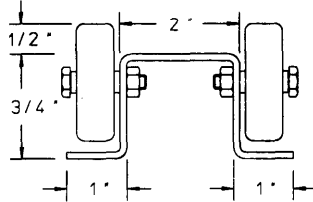
AXLES: 1/4" dia. galvanized steel bolt-type with lock nut.

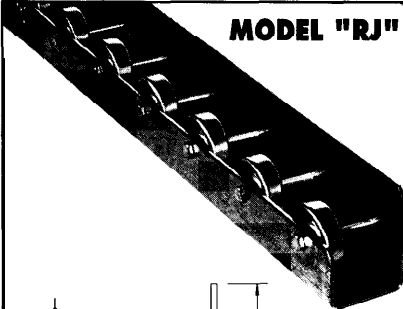
LENGTHS: Available in 1'-0" increments from 1'-0" to 10'-0".

COUPLINGS: Not supplied, specify type required for pricing.

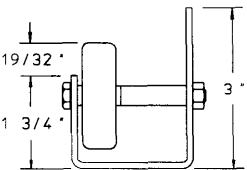
CAPACITY: See chart, lower right.

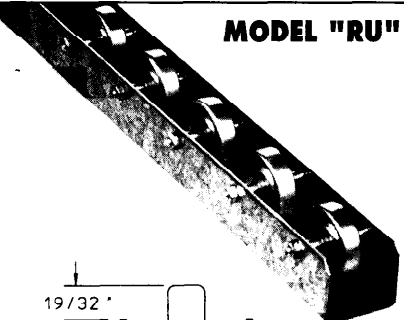
MODEL "RD"

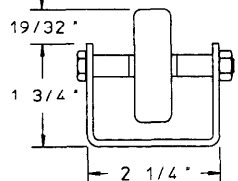


MODEL "RJ"





MODEL "RU"

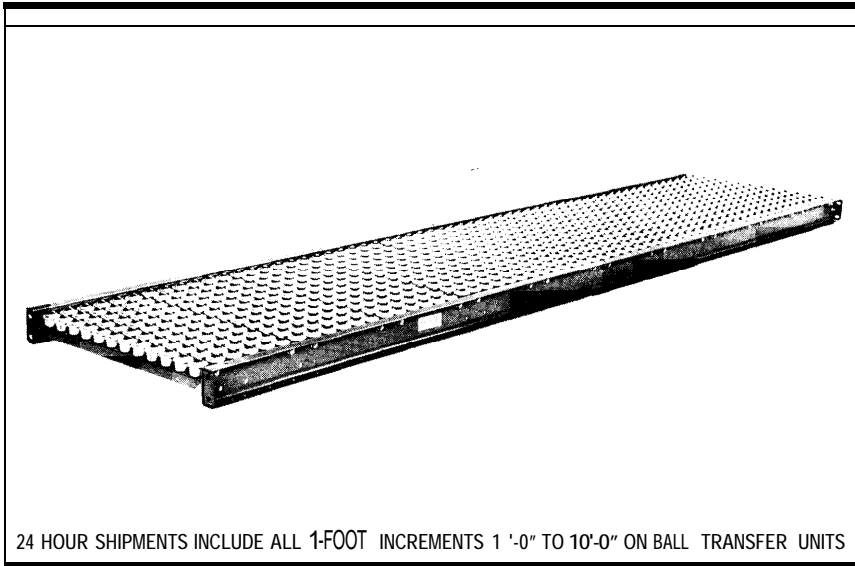


MAXIMUM LOAD CAPACITY PER FOOT		
MODEL	5' SUPPORT CTR.	10' SUPPORT CTR.
RA	50	6
RC	146	18
RD	125	15
RJ	198	24
RU	113	14

■ 24 hour shipment



BALL TRANSFER UNITS



MODEL NO. EXPLANATION

model B -- 13 | 2ball center -- 10
|
BF | length

NOTE: A minimum of 9 ball casters are required supporting each package. To determine center to center ball spacing required, divide your minimum package dimension by 2.5.

SPECIFICATIONS

BALL ASSEMBLIES: 1" dia. steel ball x 1-13/16" overall housing diameter. Mounting bolt is 1/4"-20.

FRAMES: 3- 1/2" x 1-1/2" x 10 ga. steel with balls in set high position (1/4" above side frames) only.

PLATES: Balls are attached to 10 ga. formed plates up to 39" BF. Above 39", plates are 7 ga.

BALL CENTERS: Units are standard with balls on 2", 3", 4" or 6" spacing.

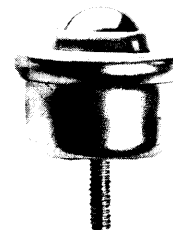
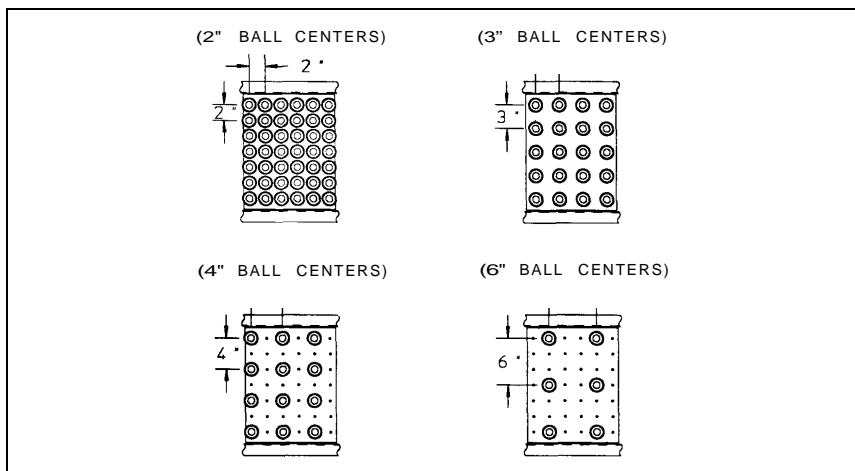
CAPACITY: 50 lbs. per ball or 1300 lbs. maximum distributed live load with supports on 10' centers; 3200 lbs. with supports on 5' centers.

CENTERS	2"	3"	4"	6"	CENTERS	2"	3"	4"	6"
BF	BALLS /FT.				BF	WEIGHTS (lbs.) /FT.			
13"	36	20	12	6	13"	28	22	19	17
15"	42	20	12	6	15"	32	23	20	18
17"	48	24	15	8	17"	35	26	23	20
19"	54	28	15	8	19"	38	28	24	21
21"	60	28	18	8	21"	42	30	26	22
23"	66	32	18	10	23"	45	32	27	24
25"	72	36	21	10	25"	48	34	29	25
27"	78	36	21	10	27"	52	36	30	26
31"	90	44	24	12	31"	58	40	34	29
33"	96	44	27	12	33"	62	42	36	30
37"	108	52	30	14	37"	69	47	39	33
39"	114	52	30	14	39"	72	49	40	34
43"	126	60	33	16	43"	79	53	44	37
47"	138	64	36	18	47"	85	57	47	40
51"	150	68	39	18	51"	92	61	50	42

CAUTION: To prevent pinch points that exist when gravity conveyors are permanently attached to power conveyors, use the connector bracket with safety pop-out roller design shown on page 147.

Indoff Distributor 860-632-2026

BALL PATTERNS



For replacement ball assemblies, refer to part #BRW04650.

■ 24 hour shipment