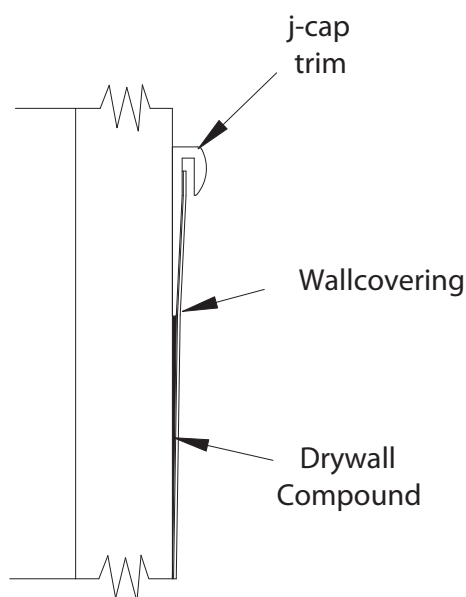


j-cap:

- 1) Examine trim to assure quantity and quality is as ordered. The installer must supply the adhesive to adhere the j-cap and drywall compound. The adhesive used to adhere the j-cap should be a craft-type contact cement or a 1/2" double-faced film tape.
- 2) With a pencil, lightly mark the perimeter of the area to receive the trim and wallcovering on the wall.
- 3) Measure and cut the trim to size using a miter saw with a carbide tip blade. Cut the ends of each piece to a 45° angle. The longest leg of the trim will face the new wallcovering side.
- 4) Apply craft-type contact adhesive or double-faced tape to the backside of the longest leg and adhere to the wall. Follow the manufacturer's directions.
- 5) With a broad knife, feather drywall compound to the highest point on the long leg of the trim. See graphic.
- 6) Follow wallcovering installation instructions. For best results, apply wallcovering; trim the wallcovering, leaving approximately 1/8" extra material around the perimeter; and tuck exposed edges into the 1/16" opening.

Profile View



J-Cap and J-trim Installation

j-trim:

- 1) Examine trim to assure quantity and quality is as ordered.
- 2) Follow tac-wall® installation instructions for "Installing tac-wall as a notice board." At this point, only cut material to size and acclimate.
- 3) Measure and cut the trim to size using a miter saw with a carbide tip blade. Cut the ends of each piece to a 45° angle. The longest leg of the trim will face the inside of the frame.
- 4) Dry fit the trim pieces to the tac-wall on the floor, assuring a good finished appearance.

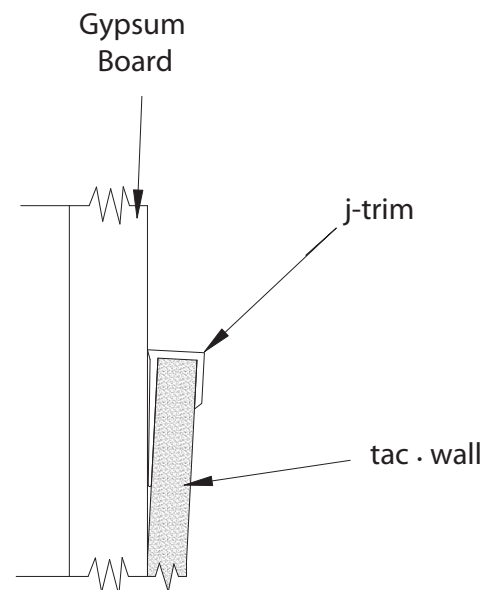
For 4' x 8' or smaller tackboards:

- 5) Apply a small bead of L910 linoleum flooring adhesive to the interior of the trim. Immediately position trim pieces onto tac-wall and hold into position with masking tape. Allow adhesive to cure between trim and tac-wall. Follow the tac-wall installation instructions and apply the panel to the wall.

For larger installations:

- 6) Follow tac-wall installation instructions, leaving 1-1/4" around the perimeter without L910 adhesive. Apply a small bead of L910 to the interior and back of the trim and position. While wet, clean excessive adhesive with soap and water. Peel back an edge of the tac-wall material and slide the trim into place. Press firmly to assure a good bond. Install remaining pieces in the same fashion. For best results, install trim pieces immediately after installing tac-wall.

Profile View



Indoff

ahutton@ahutton.com
www.ahutton.com
(860)632-2026
Fax 632-2028