

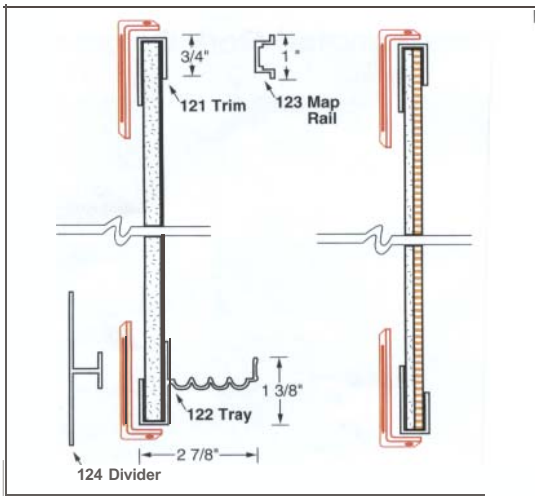
TRIM SECTIONS

Factory Framed Models

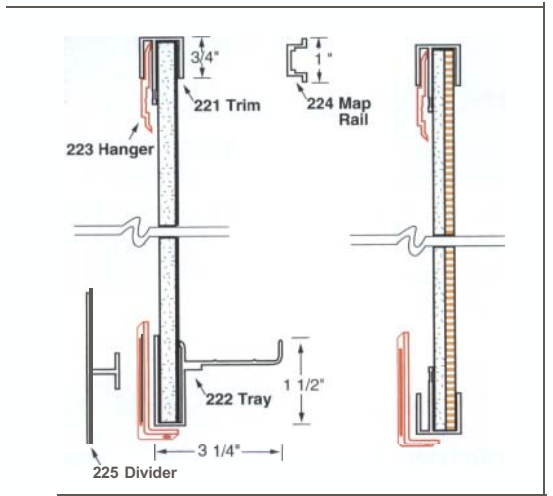
Choose from four standard designs and coordinate with any combination of facings and substrates found on pages 2 and 3. All trim, chalktrays and

map rails are satin anodized aluminum in silver, bronze or black. The minimum thickness of .065 adds strength and durability. Standard units are available in sizes up to and including 60" x 192" in one piece. Custom sizes and multiple section boards are available. Box trays are equipped with end caps. One "L" bracket is supplied for every 3' of board where necessary

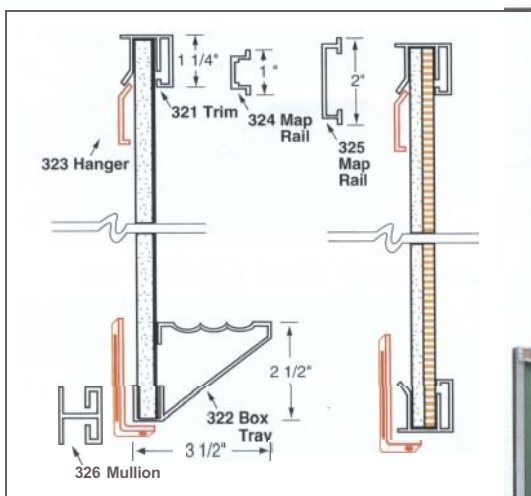
Series 1 O-1 20 Channel Trim



Series 10-220 Deluxe Channel Trim



Series 1 O-320 Slip-On Trim



Series 1 O-420 Deluxe Slip-On Trim

