

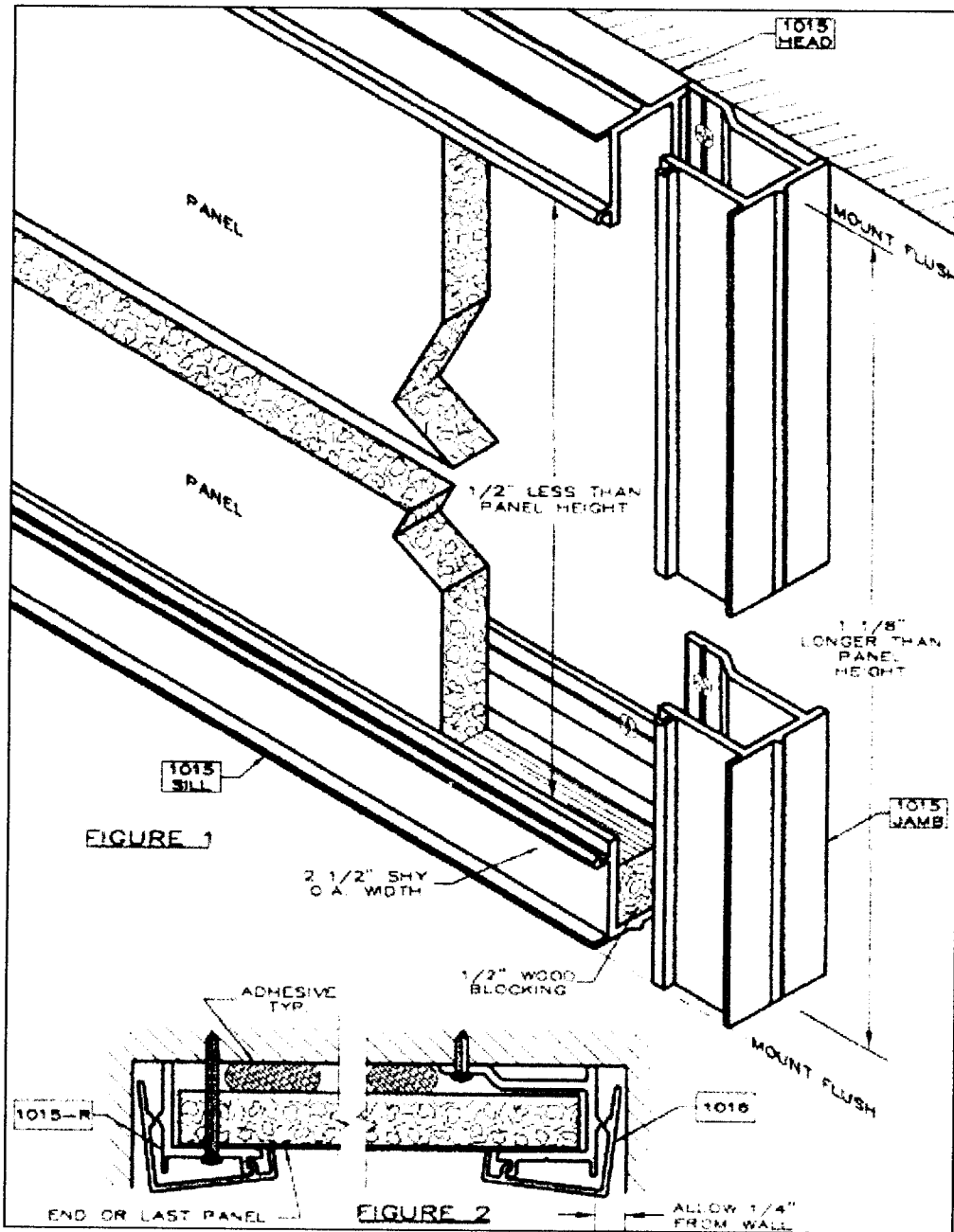
## **TACK WALL INSTALLATION INSTRUCTIONS**

### **Installations Using 1015 and 1016 Trim:**

1. Install No. 1015 Ground Sill maintaining 1/4" space above floor (or base board, if already installed). Cut sill 2-1/2" shy of overall width of installation, allowing 1-1/4" on each side. Insert 1/2" blocking. (See Figure 1) Make sure sill is level.
2. Install No. 1015 Ground Jamb starting from either side. Align jamb corner with sill corner. Make sure it is plumb.  
**Note: Jamb must be 1-1/8" longer than panel height.**
3. Install No. 1015 Ground Head maintaining 1/4" from ceiling. Cut shy 2-1/2" of overall width and mount inside jamb.  
**Note: Overall opening height must be 1/2" shorter than panel height.** (See Figure 1)
4. If wall to wall installation, allow 1/8" to 1/4" space so No. 1016 Trim can be snapped into place.
5. Apply egg-size gobs of adhesive to back of first panel, staggered on approximate 2' centers. Install panel by inserting into head trim, swinging bottom of panel over sill trim and setting down onto blocking. Adjust panel sideways to fit inside jamb trim. Compress glue to flush panel face and adjust so open side is plumb.
6. Repeat with additional panels, using chosen joint connection, until all panels are installed. Note: On last panel apply adhesive at panel edge to support it when No. 1015R Ground Jamb (with back leg ripped off) is screwed into place.
7. After all panels are installed, screw No. 1015R Ground Jamb, with back leg ripped off, through panel into wall. (Note: Over-tightening screw may cause panel to bow.) Cap both jambs with No. 1016 Trim. **Note: No. 1016 Trim must be cut 1/4" longer than No. 1015 Jamb.** Then, cut No. 1016 Trim for head and sill to fit between jambs. (See Figure 2)

**Installations Using No. 697 Outside or No. 698 Inside Corners and 1015/1016:** Install No. 697 Outside Corner. **Note: No. 1016 Trim must be mitered before installation.** Cut on 45-degree miter. No. 1015 Ground Head and Ground Sill must be cut 1-5/8" shy. If No. 698 Inside Corners are used, No. 1015 Ground Head and Ground Sill must be cut 2-1/4" shy each side of inside corner.

**Installations Using Edge-Wrapped Panels Without Trim:** Install floor to ceiling panels to wall with 16-A Adhesive butting together at joints.



**CLARIDGE PRODUCTS AND EQUIPMENT, INC.**  
 P. O. BOX 910  
 HARRISON, ARKANSAS 72602-0910  
 PHONE: (870) 743-2200  
 FAX: (870) 743-1908  
 WEB SITE: [www.claridgeproducts.com](http://www.claridgeproducts.com)

X Close Window